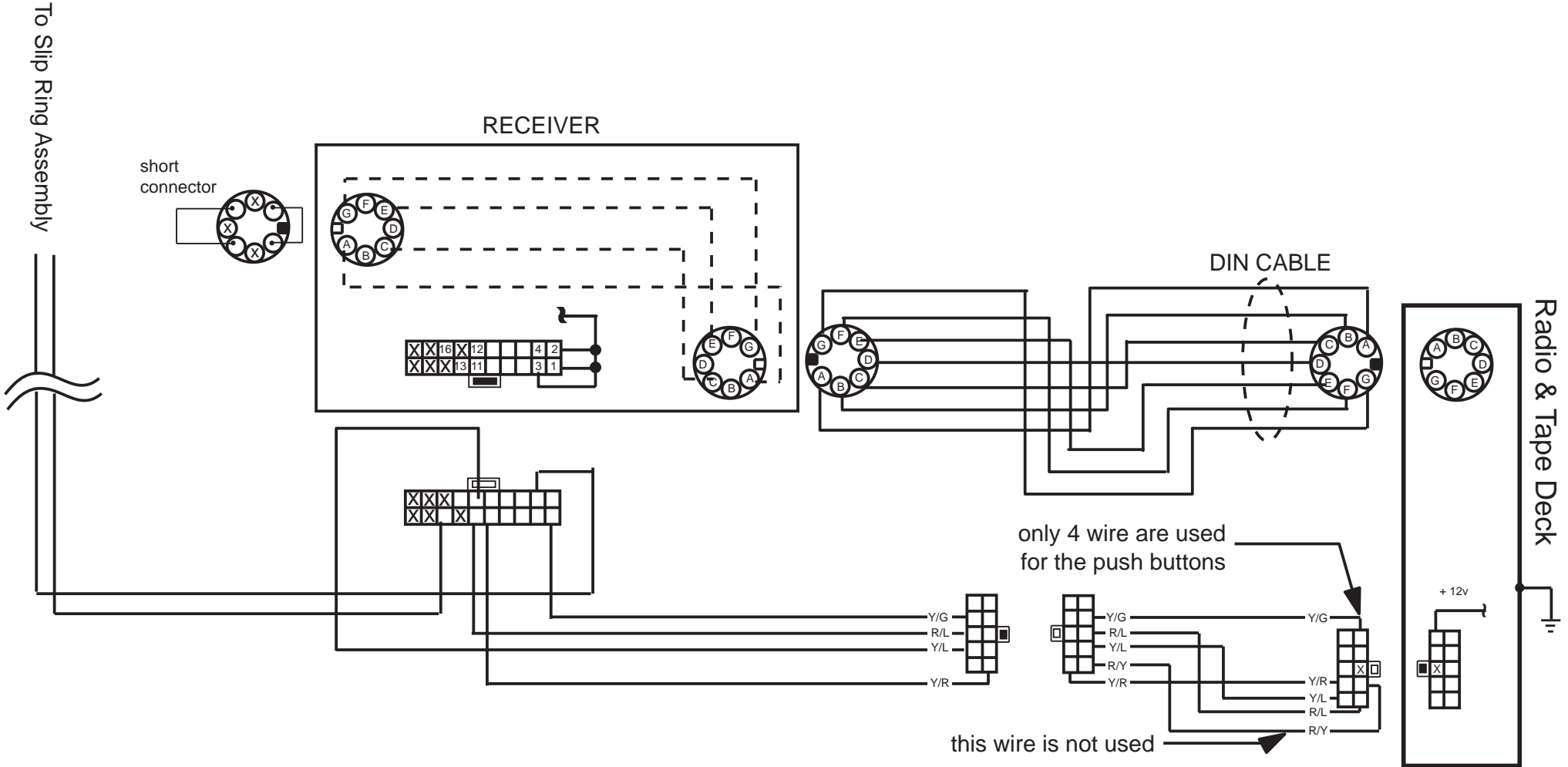


# 1988 Nissan-Datsun 300ZX Steering wheel switch diagram



1. The receiver must stay in place with the 20 pin plugged in order for the SWI-X to work with the steering wheel controls.
2. You may remove the Radio and Tape deck and use the 10 pin plug.
3. Only 4 wires will be used for the push buttons on steering wheel.
4. Note that the buttons can be assigned any IR remote function and not what is labeled on the switches.
5. The volume knob can not be retained.