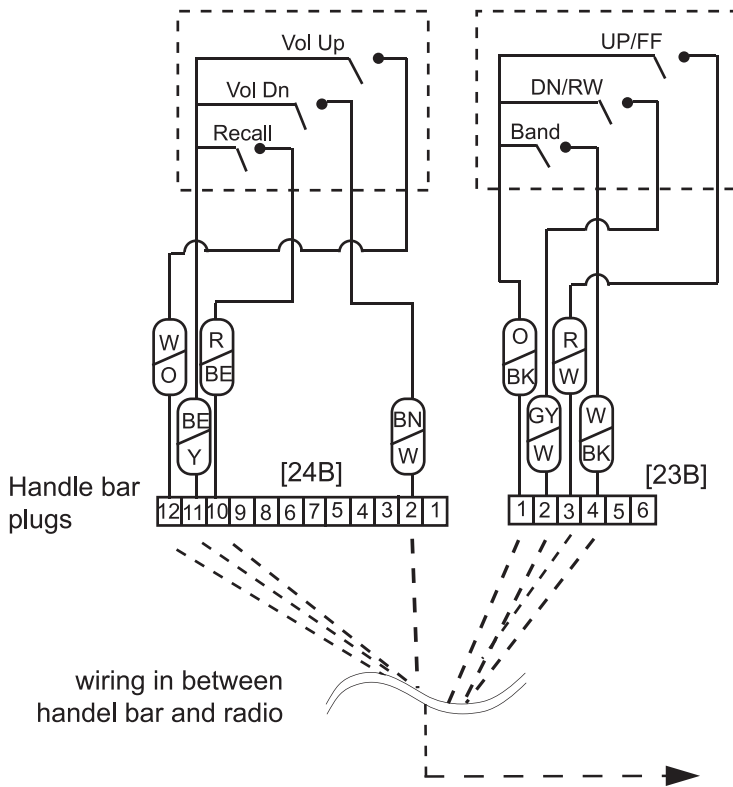


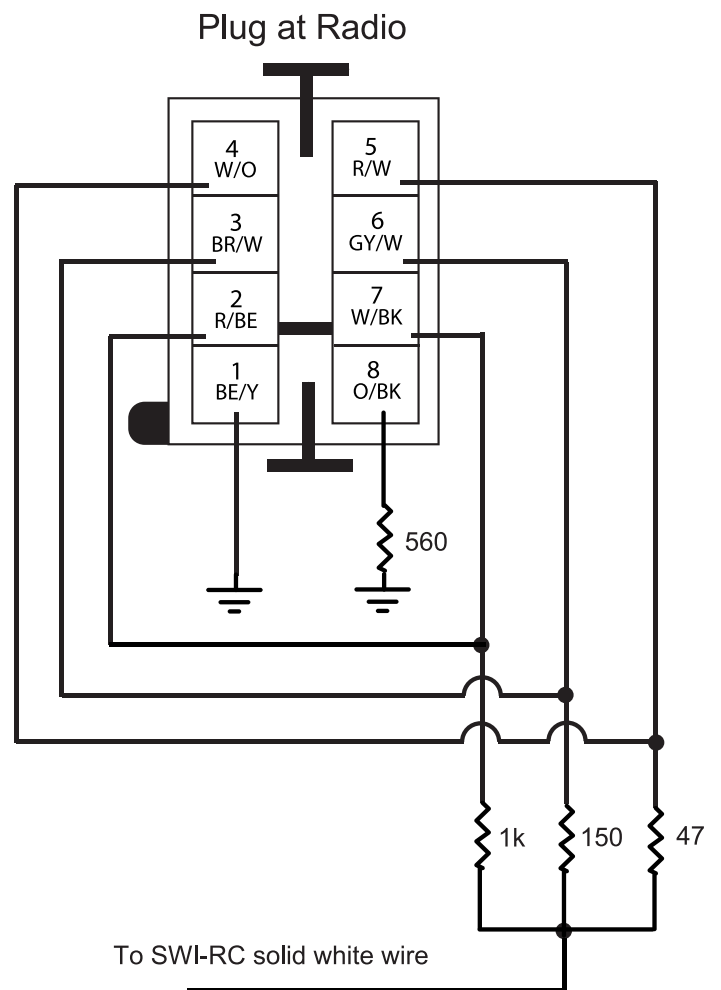


# Harley Davidson 1997 and older Handle bar control wiring

Pacific Accessory Corporation



wiring in between  
handel bar and radio



On the plug at radio:

1. Connect BE/Y wire - pin #1 to ground.
2. Connect O/BK - pin #8 to ground with a 560 ohm resistor inline.
3. Splice R/BE - pin #2 and W/BK - pin #7 together with a 1k ohm resistor inline.
4. Splice BR/W - pin #3 and GY/W - pin #6 together with a 150 ohm resistor inline.
5. Splice W/O - pin #4 and R/W - pin #5 together with a 47 resistor inline.
6. Connect all remaining ends of resistors together and connect to SWC input wire of interface.

Pacific Accessory Corporation - 13190 56th Court, Suite 401, Clearwater, FL. 33760

www.pac-audio.com

Voice: 800-477-2267 Fax: 800-444-6044

techsupport@pac-audio.com

mb9242014